

START SERIES

The heaters of the FAST series are made from Aluminum to maximize heat transfer and utilize PTC in the heating process.

PTC thermistors are designed to maintain their temperature, keeping heaters constantly stable.

Safety Touch technology ensures a limited surface temperature (max 70°C @ 20°C room T) making it safe to the touch.

Connection by bipolar SIHF cable 2x0,25 mm².

All the heaters are designed according to IEC EN 60335-1 standard and applicable for industrial use only.



TECHNICAL DATA

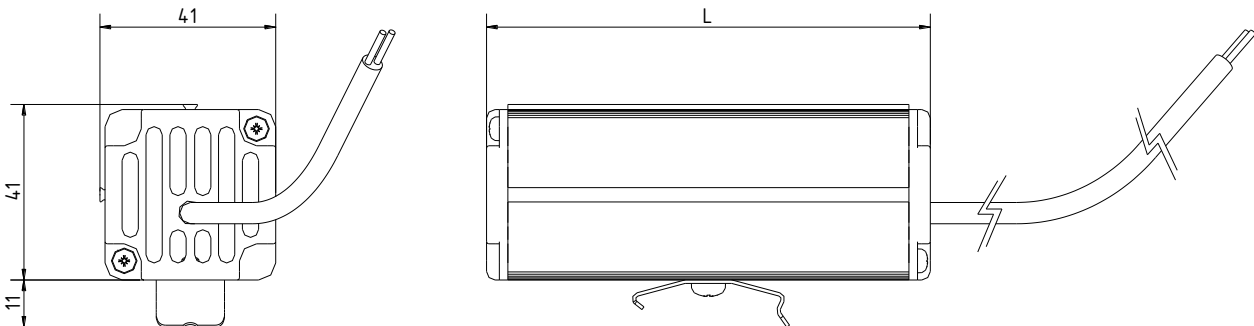
Heating power	30 - 75W
Voltage supply	110 - 230 Vac-dc
Voltage insulation	3750V @ 50Hz, 1 min
Heating element	PTC
Heat sink / Plastics material	Al 6061 / UL94 V0
Protection class	II - IEC 60335-1
Protection degree	IP4X
Max surface temperature	70 °C @ 20°C**
Operating temperature	-10 +60 °C
Storage temperature	-20 +70 °C
Cable lenght	600 mm
Mounting	35mm DIN rail

** Room Temperature

MODELS

Type	u.m.	S1030	S1050	S1075
Heating	W	30	50	75
Dimensions LxHxD	mm	105x41x41	157x41x41	204x41x41
Weight	kg	0,2	0,3	0,4
In rush current	A	1,0-1,5	1,0-1,5	2,0-2,5
Protection fuse	A	2	2	4

DRAWINGS



EXPERT'S TIPS

Place the heater in the lower part of the enclosure, to favor the thermal convection.

Keep a safe distance of at least 150mm between the heater and electrical devices.

Visually check that the heater is not closed in a niche or obstructed by other components, in order to uniformly distributed the heat.

Avoid any possible contact between the heater and wiring cables.