

## FAST SERIES WITH AIR THERMOSTAT

The heaters of the FAST series are made from Aluminum to maximize heat transfer and utilize PTC in the heating process.

PTC thermistors are designed to maintain their temperature, keeping heaters constantly stable.

The heaters of the fast series are equipped with either a fixed or adjustable thermostat.

On request heaters can be equipped with

- 1 NC auxiliary contact to monitor the proper operation of the unit.
- Led signal lamps.

The heaters are equipped with spring-loaded terminals for quick connection.

All the heaters are designed according to IEC EN 60335-1 standard and applicable for industrial use only.



### TECHNICAL DATA

Heating power	150W
Voltage supply	110 - 230 Vac-dc
Voltage insulation	2500V @ 50Hz, 1 min
Heating element	PTC
Heat sink / Plastics material	Al 6061 / UL94 V0
Protection class	I - IEC 60335-1
Protection degree	IP20
Max surface temperature	100 / 70 °C* with T limiter on request
Operating temperature	-10 +60 °C
Storage temperature	-20 +70 °C
Max wire section	2.5 mm <sup>2</sup>
Mounting	35mm DIN rail

\* Max temperature in all operative conditions with safe touch limiter (optional)

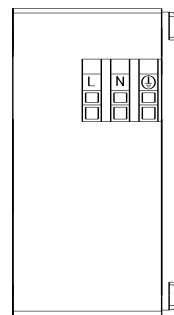
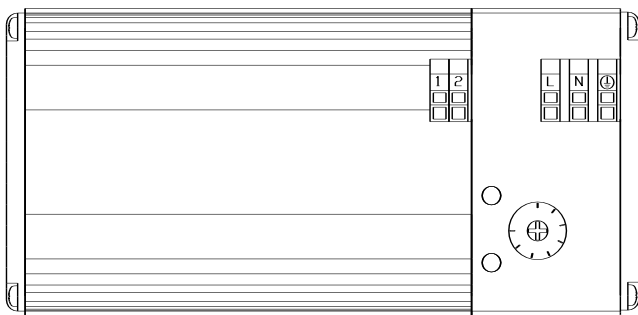
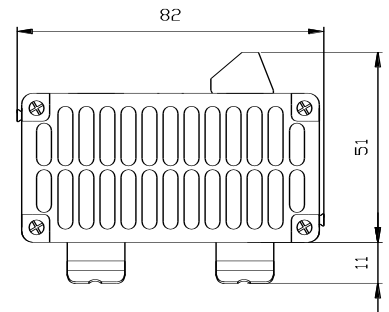
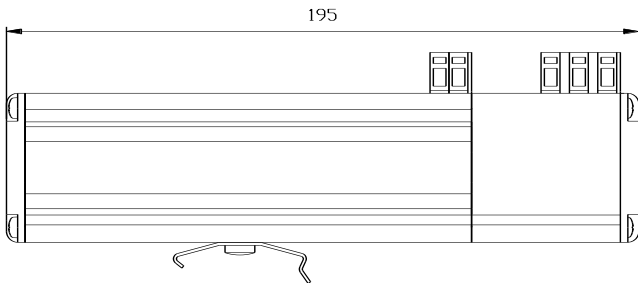
Aux contact (optional)	1NC
Max switch current / cycles	5A / 6.000
Signaling leds (optional)	Main status, thermostat status
Thermostat limiter (optional)	70°C / 100,000 cycles

### MODELS

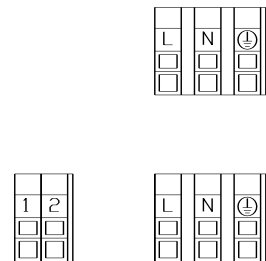
Type	u.m.	F3150	F3150A
Heating	W	150	150
Thermostat / Set point	°C	Fixed / 25, 40	Adjustable / 5 - 40
Dimensions LxHxD	mm	195x82x51	195x82x51
Weight	kg	0,5	0,5
In rush current	A	3,0-3,5	4,0-5,0
Protection fuse	A	2	4

On request: F3151, F3151A - 230Vac power supply

DRAWINGS



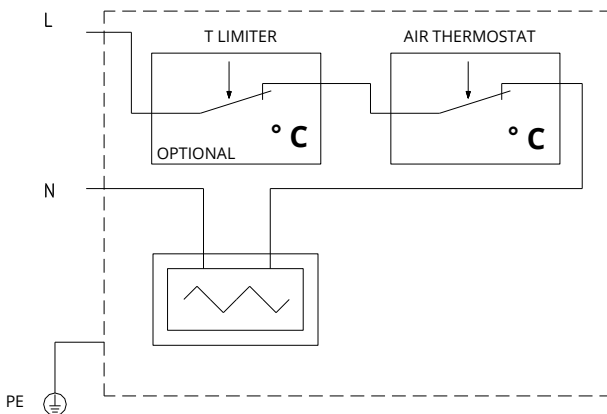
TERMINAL BLOCKS



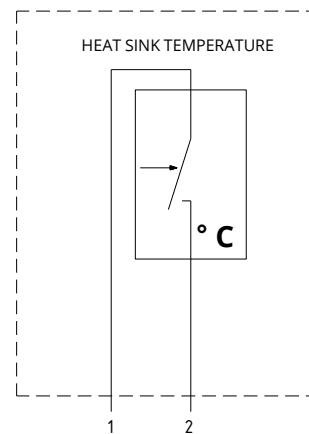
F3150A - with aux contact and leds

F3150 - detail

ELECTRICAL CIRCUIT



AUXILIARY CONTACT



EXPERT'S TIPS

- Place the heater in the lower part of the enclosure, to favor the thermal convection.
- Keep a safe distance of at least 150mm between the heater and electrical devices.
- Visually check that the heater is not closed in a niche or obstructed by other components, in order to uniformly distributed the heat.
- Avoid any possible contact between the heater and wiring cables.